

TQJ-400E

Fiberglass Omni Antenna

Technical Sheet



Applications

- 400MHz Band
- Point to Multi-point
- Wireless Video System
- Wireless TETRA System

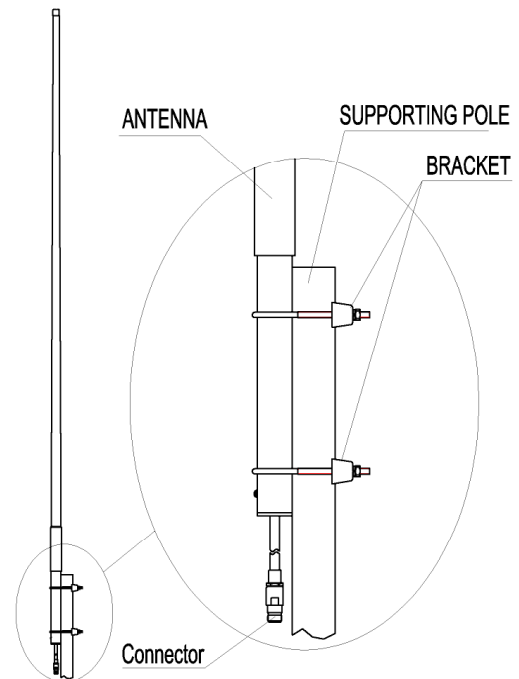
Features

- Superior Performance
- Sealed with Fiberglass
- All Weather Operation
- Supplied with Steel Mounting Kit

Specifications

| | |
|----------------------|------------------------|
| Model | TQJ-400E |
| Freq.Range-MHz | 400-480 |
| Bandwidth-MHz | 16 |
| Gain-dBi | 8.5 |
| Ver.Beamwidth-° | 14.5 |
| VSWR | ≤1.5 |
| Impedance-Ω | 50 |
| Polarization | Vertical |
| Max.Power-W | 100 |
| Lightning Protection | DC Grounded |
| Connector | N Female or Customized |
| Length-m | 2.5 |
| Weight-Kg | 2.5 |
| Pole Diameter-mm | φ 40-50 |

Installation Sketch



Kenbotong Communication LTD.

Addr: Kenbotong Technology Park, No2. Chanxiu Road, Foshan, Guangdong, China 528061
 Tel: +86-757-82219788, 82126632 Fax: +86-757-82212072
 Email: kbt@kenbotong.com web: <http://www.kenbotong.com>