

# TDJ-150B

## Yagi Antenna

### Technical Sheet



#### Applications

- Long distance communication system
- Point to Point/Multipoint Applications
- Multi applications

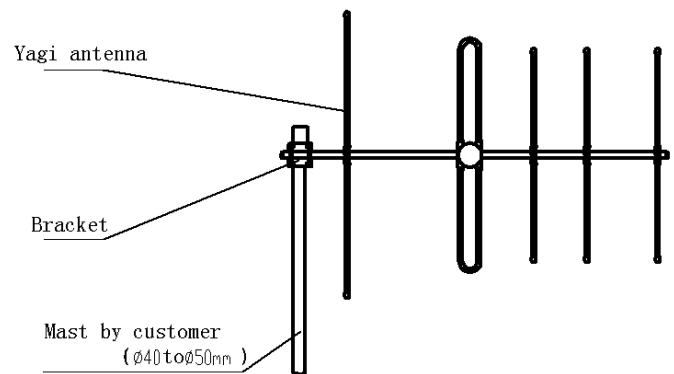
#### Features

- Superior Performance
- All Weather Operation
- Aluminum Alloy Elements
- Pole Mounting Kits

#### Specifications

Model	TDJ-150B
Frequency -MHz	134~173
Bandwidth -MHz	10
Gain-dBi	9
Beamwidth-°	E:48 H:54
F/B Ratio-dB	≥14
VSWR	≤1.5
Impedance-Ω	50
Polarization	Vertical or Horizontal
Max. Power-W	100
Connector Type	N-Female or Customization
Dimension -m	1.55(may vary with frequency)
Weight-kg	1.68(may vary with frequency)
Pole Diameter -mm	φ 40~50

#### Install Sketch



Kenbotong Technology Co., Ltd.

Addr :NO.2 Chanxiu Road ,Foshan city,Guangdong China Code:528061  
 Tel: 86(757)8202-5597, 8221-9788 Fax : 86(757)8221-2072,8802-2808  
 Email: kbt@kenbotong.com web: <http://www.kenbotong.com>